

MARINE POWER AMPLIFIER

# KAC-210D KAC-210MR

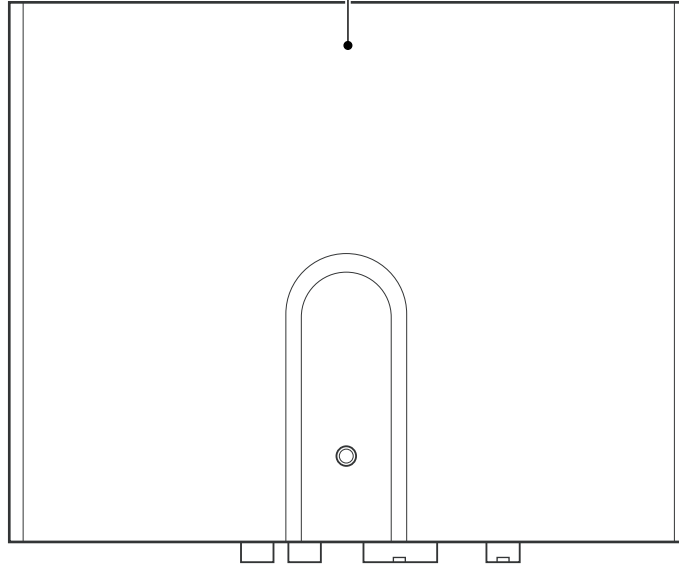
## SERVICE MANUAL

# KENWOOD

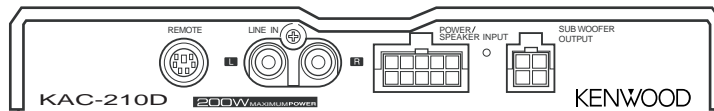
Kenwood Corporation

© 2005-3 PRINTED IN JAPAN  
B53-0259-00 (N) 609

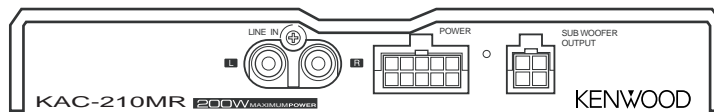
Metallic cabinet  
(A01-2867-02) : KAC-210MR  
(A01-2880-02) : KAC-210D



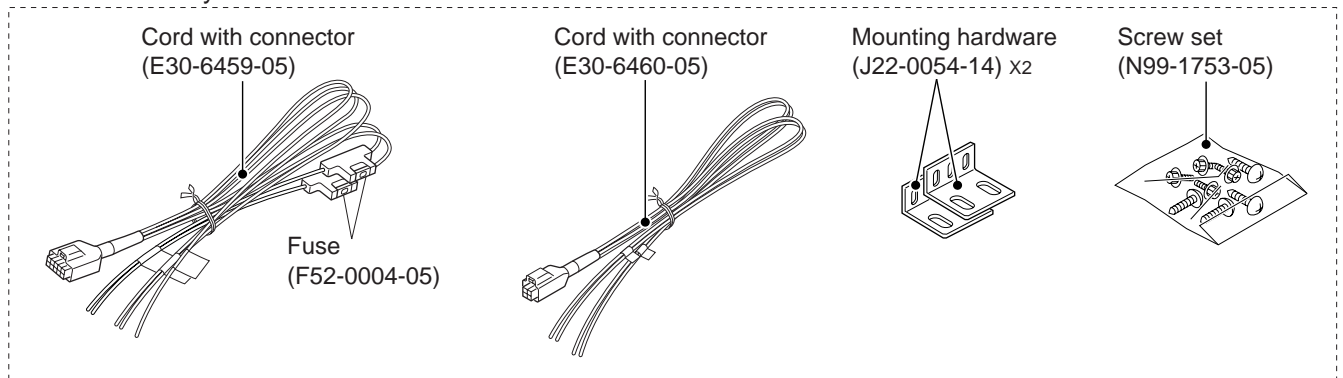
KAC-210D



KAC-210MR



KAC-210MR only

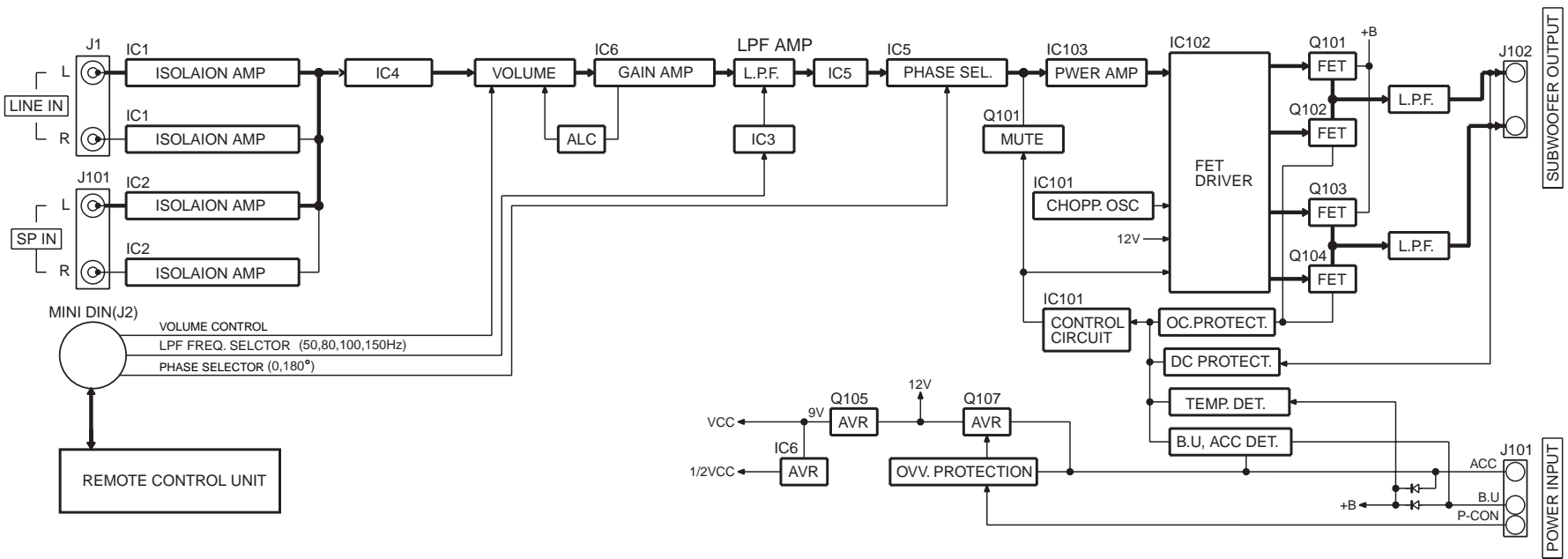


This product uses Lead Free solder.



# KAC-210D/210MR

## BLOCK DIAGRAM



# KAC-210D/210MR

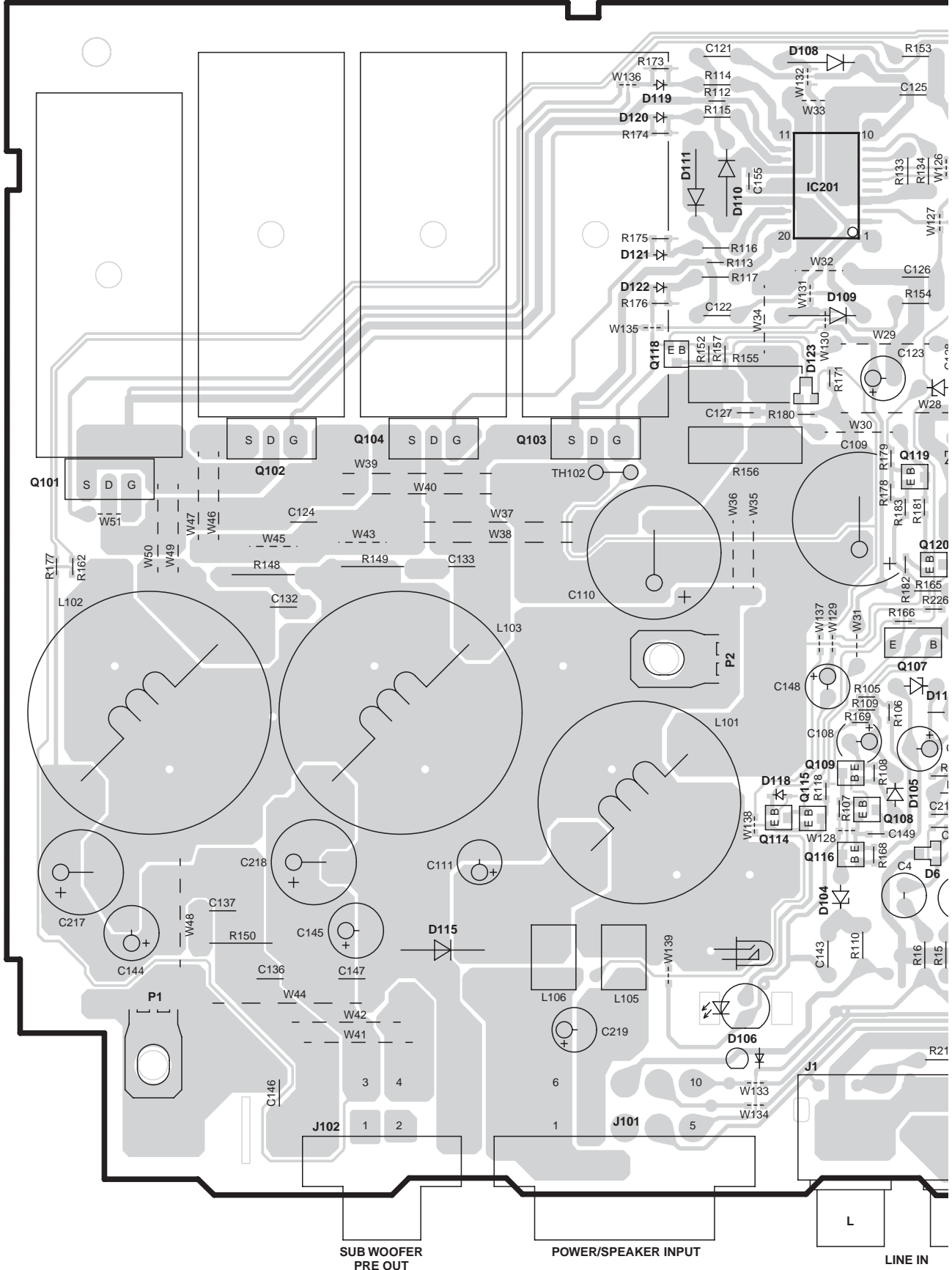
## COMPONENTS DESCRIPTION

### ● AUDIO UNIT (X09-5800-xx)

Ref No.	Application / Functions	Operation / Condition / Compatibility
IC1	Line input isolation amp	9V AVR operation (center voltage 4.9V)
IC2	Speaker input isolation amp	9V AVR operation (center voltage 4.9V)
IC3	LPF frequency selector	Select for 50, 80, 100, 150Hz (Default 150Hz)
IC4	Volume control	Electric volume (VCA)
IC5	LPF, phase selector	LPF (-12db/oct.) Phase 0°/180°
IC6	1/2 VCC output OP amp	Center voltage 4.9V
IC101	Chopping wave generator & protection control	Clock 140kHz, protection time (2sec for Power on)
IC103	Power amp first stage, NF circuit	9V AVR operation (center voltage 4.9V)
IC201	D class amp driver	PWM digital converter, FET driver IC
IC202	Clipper circuit	9V AVR operation (center voltage 4.9V)
Q1	Phase selector	Switching for phase 0° and 180°
Q101~104	Power FET	D class AMP final FET
Q105	9V AVR	Use for OP amp
Q107,108	P-CON control	When P-CON line more than 8.7V, this circuit is active (ON)
Q109	Over load voltage detector	When ACC line more than 18.2V, this circuit is active (OFF)
Q110	Muting transistor	Muting for PWM driver when Power is on
Q111,112	Protection detector	Feed back for protection data (latch operation)
Q113	DC protection detector	DC voltage sensibility is ±5V
Q114	LED control	LED light up when Power is ON
Q115	LED control	LED light off when protection circuit ON
Q116	12V AVR control	12V AVR feedback transistor
Q118	Temperature & voltage detector	Protection function
Q119	Power supply voltage detector	Detect for Power off condition
Q120	Discharge transistor (for C148 when Power is off)	Malfunction for LED light up

# KAC-210D/210MR PC BOARD (FOIL SIDE VIEW)

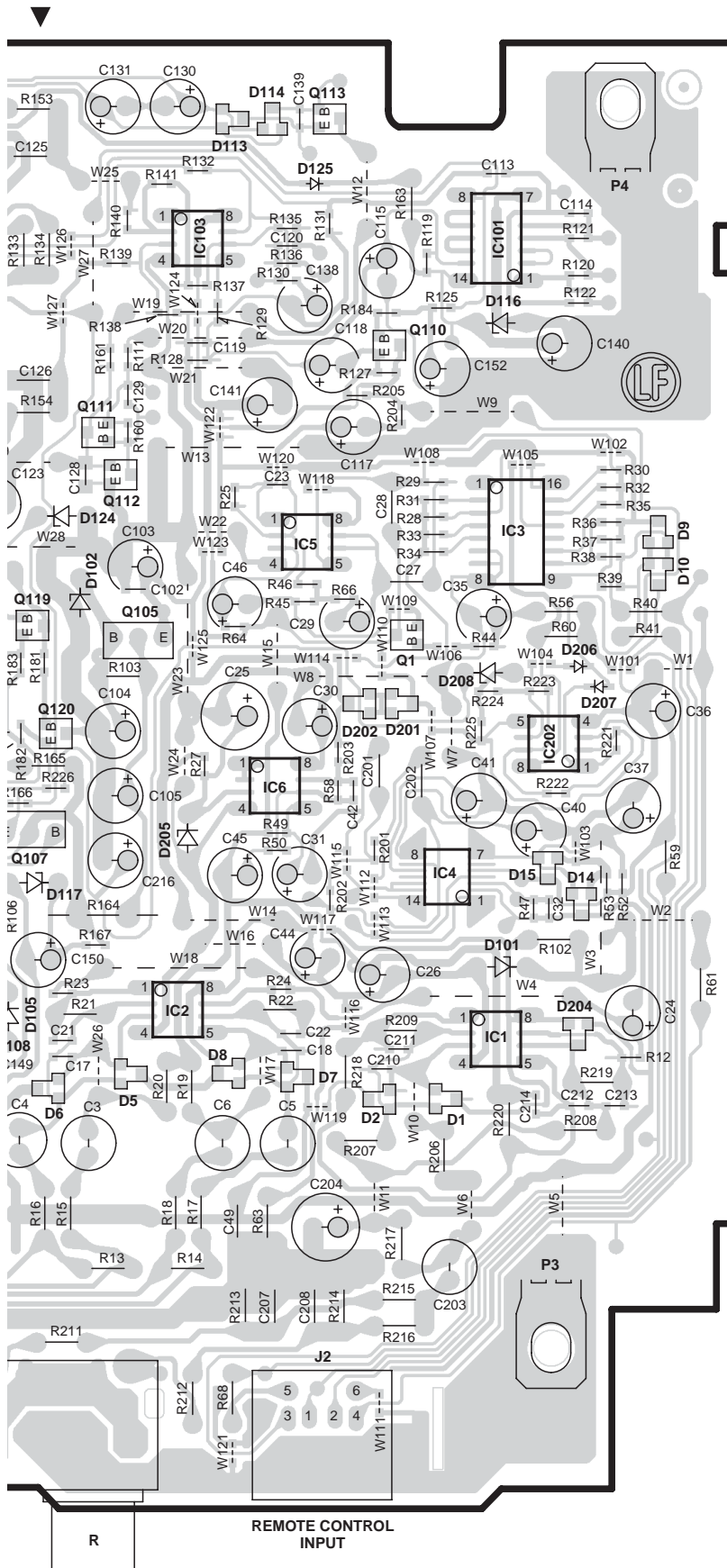
AUDIO UNIT X09-5800-xx (J76-0018-12)



SUB WOOFER  
PRE OUT

POWER/SPEAKER INPUT

LINE IN



X09-5800-xx

Ref. No.	Address
IC1	5G
IC2	5F
IC3	3G
IC4	4G
IC5	3G
IC6	4G
IC101	2G
IC103	2F
IC201	2E
IC202	4H
Q1	4G
Q101	4A
Q102	3B
Q103	3D
Q104	3C
Q105	3F
Q107	4E
Q108	5E
Q109	5E
Q110	2G
Q111	3F
Q112	3F
Q113	2G
Q114	5E
Q115	5E
Q116	5E
Q118	3D
Q119	3E
Q120	4F

Refer to the schematic diagram for the values of resistors and capacitors.

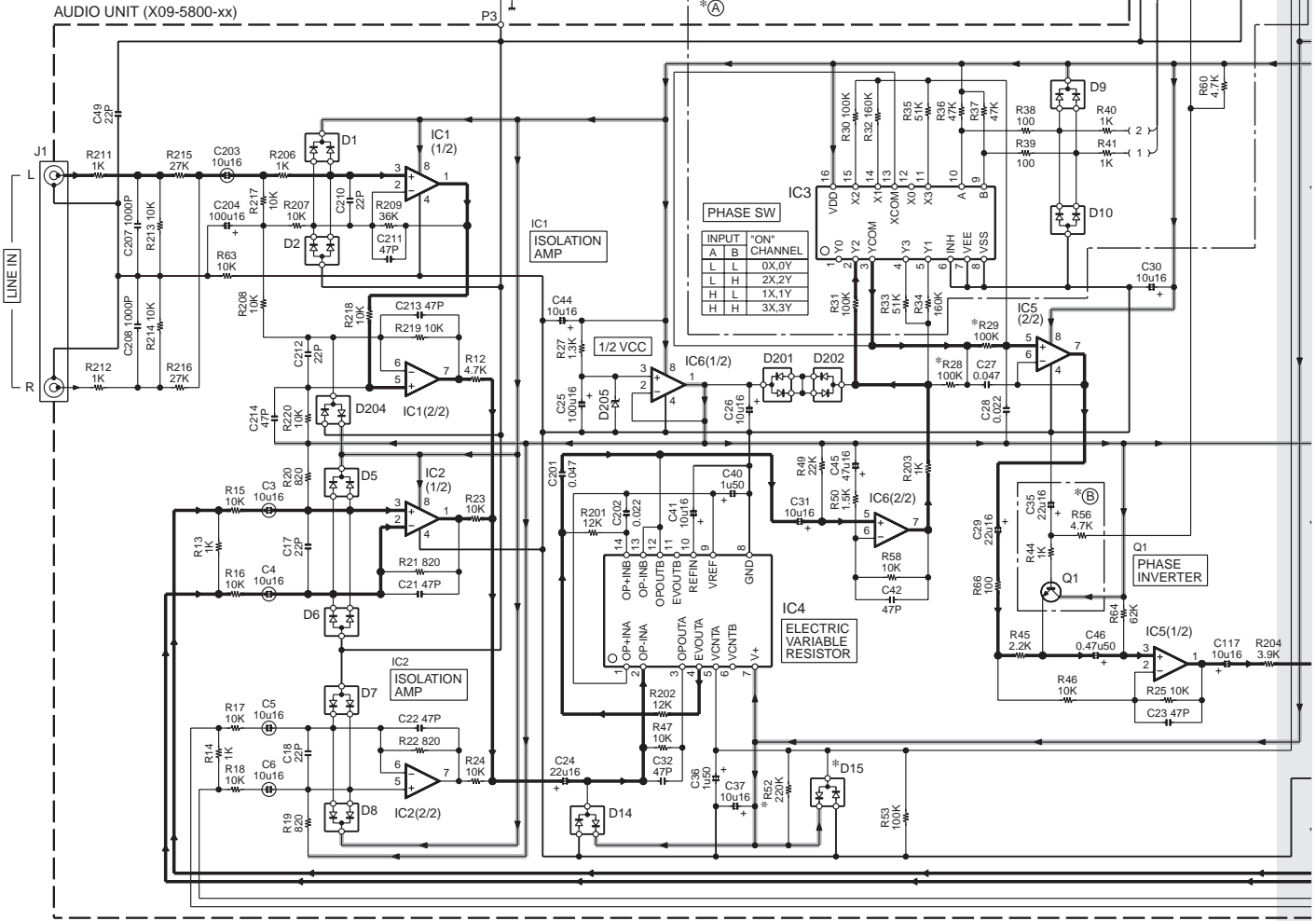
# KAC-210D/210MR

- IC1,2,5,6,103,202 : BA4560F  
 IC3 : TC4052BF(N)-F  
 IC4 : NJM2172V-TE2  
 IC101 : BU4069UBF  
 IC201 : HIP4080AIBT
- Q1,108-110,112,116 : 2SC4081  
 Q101-104 : IRF540N  
 Q105 : 2SD1863  
 Q107 : 2SB1241  
 Q111,119,120 : 2SA1576A  
 Q113,118 : DTA124EUA  
 Q114,115 : DTC124EUA
- D1,5,8,9,113 : DAN202U  
 D2,6,7,10,114,123 : DAP202U  
 D14,15,201,202,204 : DA204U  
 D101,205 : RD5.1JS-AZ(B2)  
 D102,116,117 : RD10JS-AZ(B)  
 D104,124 : RD7.5JS-AZ(B)  
 D105 : RD15JS-AZ(B)  
 D106 : B30-1641-05  
 D108-111 : EG01YNF  
 D115 : S2V60\*A  
 D118-122,125,206,207 : 1SS400  
 D208 : RD6.2JS(B)

(X09-5800-xx)

MODEL NAME	UNIT No.	(A) (B)	D15	R28, 29	R52
KAC-210D	0-60	YES	YES	100K	220K
KAC-210MR	0-11	—	—	62K	75K

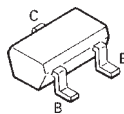
— SIGNAL LINE  
 — GND LINE  
 — +B LINE



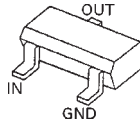
2SA1576A



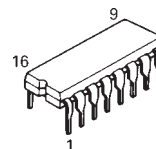
2SC4081



DTA124EUA  
 DTC124EUA



TC4052BF



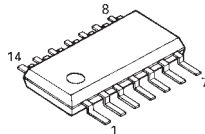
DAN202U

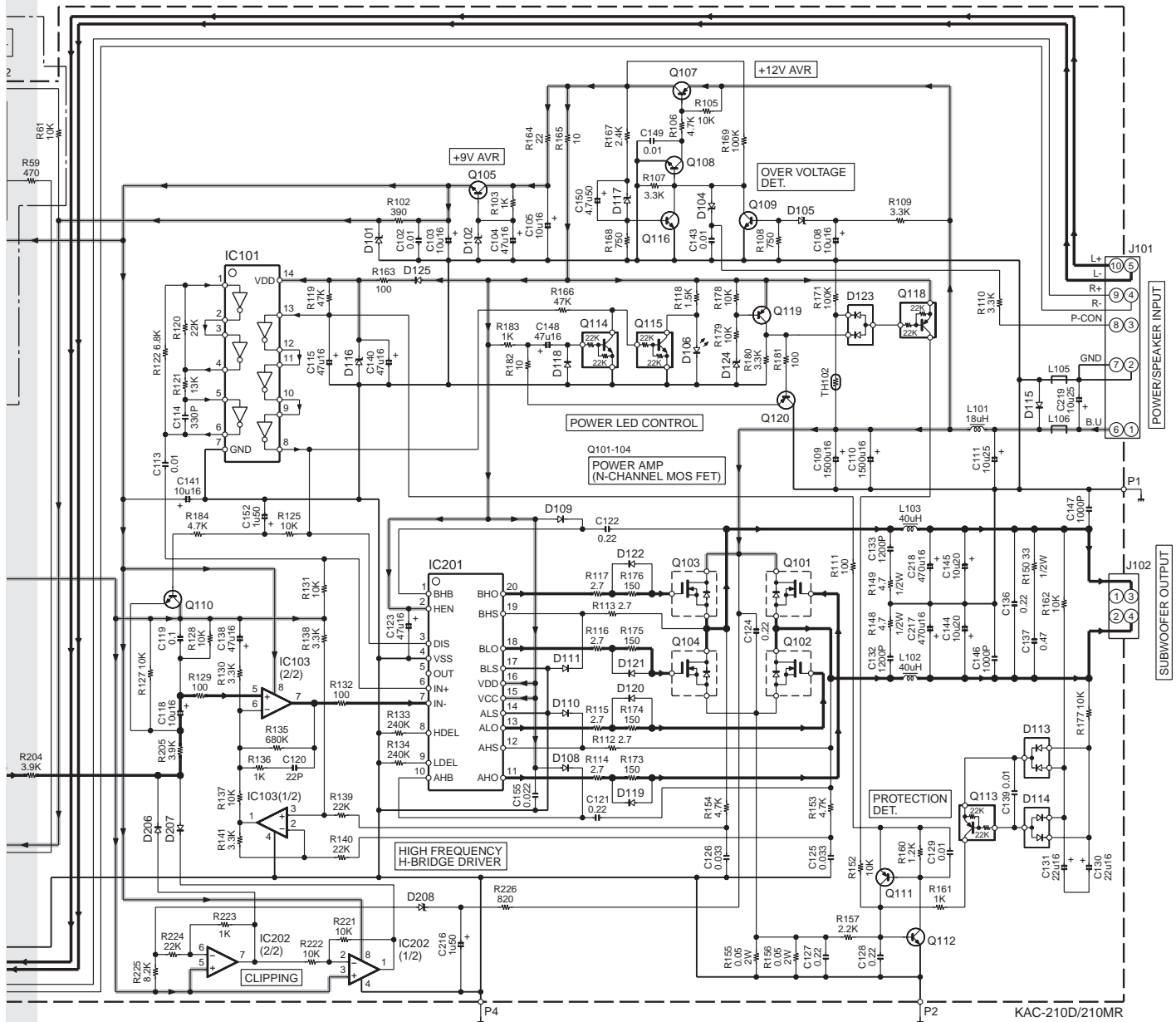


DAP202U  
 DA204U



BU4069UBF





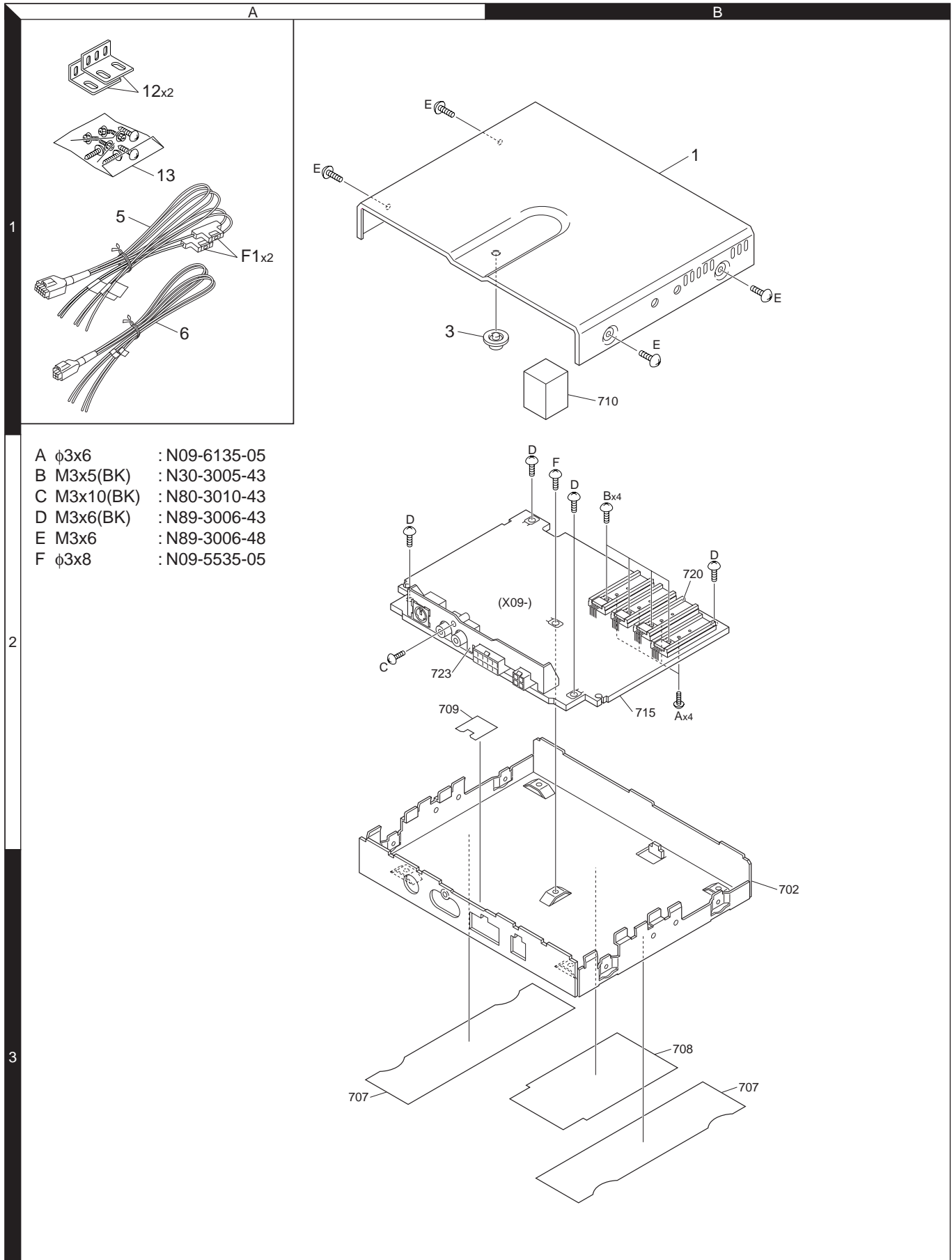
**CAUTION :** For continued safety, replace safety critical components only with manufacturer's recommended parts (refer to parts list).

⚠ Indicates safety critical components. To reduce the risk of electric shock, leakage-current or resistance measurements shall be carried out (exposed parts are acceptably insulated from the supply circuit) before the appliance is returned to the customer.

- DC voltages are as measured with a high impedance voltmeter. Values may vary slightly due to variations between individual instruments or/and units.

# KAC-210D/210MR

## EXPLODED VIEW





# KAC-210D/210MR

## PARTS LIST

\* New parts

Parts without **Parts No.** are not supplied.

Les articles non mentionnés dans le **Parts No.** ne sont pas fournis.

Teile ohne **Parts No.** werden nicht geliefert.

Ref. No.	A d d	N e w	Parts No.	Description	Desti- nation	Ref. No.	A d d	N e w	Parts No.	Description	Desti- nation
<b>KAC-210D, KAC-210MR</b>						C45			C90-5577-05	ELECTRO 47UF 16WV	K1
						C46			CD04BJ1HR47M	ELECTRO 0.47UF 50WV	K2
1	1B	*	A01-2867-02	METALLIC CABINET	K2	C46			C90-5600-05	ELECTRO 0.47UF 50WV	K1
1	1B	*	A01-2880-02	METALLIC CABINET	K1	C49			CC45FCH1H220J	CERAMIC 22PF J	
3	1A		B19-2225-04	LIGHTING BOARD		C102			CK73GB1H103K	CHIP C 0.010UF K	
-			B46-0100-50	WARRANTY CARD	K2	C103			CD04BJ1H100M	ELECTRO 10UF 50WV	K2
-		*	B64-3090-00	INSTRUCTION MANUAL (ENG.FRE.SPA.)	K2	C103			C90-5574-05	ELECTRO 10UF 16WV	K1
5	1A	*	E30-6459-05	CORD WITH CONNECTOR	K2	C104			CD04BJ1E470M	ELECTRO 47UF 25WV	K2
6	1A		E30-6460-05	CORD WITH CONNECTOR	K2	C104			C90-5577-05	ELECTRO 47UF 16WV	K1
F1	1A		F52-0004-05	FUSE (5A)		C105			CD04BJ1H100M	ELECTRO 10UF 50WV	K2
-		*	H11-1547-04	POLYSTYRENE FOAMED BOARD		C105			C90-5574-05	ELECTRO 10UF 16WV	K1
-		*	H12-2721-04	PACKING FIXTURE		C108			CD04BJ1H100M	ELECTRO 10UF 50WV	K2
-			H25-1200-04	PROTECTION BAG (250X350X0.03)		C108			C90-5574-05	ELECTRO 10UF 16WV	K1
-		*	H54-3472-03	ITEM CARTON CASE	K2	C109,110			CD04BC1C152M	ELECTRO 1500UF 16WV	
-		*	H54-3473-03	ITEM CARTON CASE	K1	C111			CD04BJ1H100M	ELECTRO 10UF 50WV	K2
12	1A		J22-0054-14	MOUNTING HARDWARE	K2	C111			C90-5585-05	ELECTRO 10UF 25WV	K1
13	1A		N99-1753-05	SCREW SET	K2	C113			CK73GB1H103K	CHIP C 0.010UF K	
C	2A		N80-3010-43	PAN HEAD TAPTITE SCREW		C114			CC73GCH1H331J	CHIP C 330PF J	
D	2B		N89-3006-43	BINDING HEAD TAPTITE SCREW		C115			CD04BJ1E470M	ELECTRO 47UF 25WV	K2
E	1A		N89-3006-48	BINDING HEAD TAPTITE SCREW		C115			C90-5577-05	ELECTRO 47UF 16WV	K1
F	2B		N09-5535-05	SET SCREW (3X8)		C117,118			CD04BJ1H100M	ELECTRO 10UF 50WV	K2
<b>AUDIO UNIT (X09-5800-xx)</b>						C117,118			C90-5574-05	ELECTRO 10UF 16WV	K1
D106			B30-1641-05	LED		C119			CK73GB1H104K	CHIP C 0.10UF K	
C3-6			C90-5554-05	ELECTRO 10UF 16WV		C120			CC73GCH1H220J	CHIP C 22PF J	
C17,18			CC73GCH1H220J	CHIP C 22PF J		C121,122			CF92FV1H224J	MF-C 0.22UF J	
C21-23			CC73GCH1H470J	CHIP C 47PF J		C123			CD04BJ1E470M	ELECTRO 47UF 25WV	K2
C24			CD04BJ1H220M	ELECTRO 22UF 50WV	K2	C123			C90-5577-05	ELECTRO 47UF 16WV	K1
C24			C90-5575-05	ELECTRO 22UF 16WV	K1	C124			CF92FV1H224J	MF-C 0.22UF J	
C25			CD04BJ1C101M	ELECTRO 100UF 16WV	K2	C125,126			CF92FV1H333J	MF-C 0.033UF J	
C25			C90-5578-05	ELECTRO 100UF 16WV	K1	C127,128			CK73FB1C224K	CHIP C 0.22UF K	
C26			CD04BJ1H100M	ELECTRO 10UF 50WV	K2	C129			CK73GB1H103K	CHIP C 0.010UF K	
C26			C90-5574-05	ELECTRO 10UF 16WV	K1	C130,131			CD04BJ1H220M	ELECTRO 22UF 50WV	K2
C27			CF92FV1H473J	MF-C 0.047UF J		C130,131			C90-5575-05	ELECTRO 22UF 16WV	K1
C28			CF92FV1H223J	MF-C 0.022UF J		C132,133			CF92FV1H122J	MF-C 1200PF J	
C29			CD04BJ1H220M	ELECTRO 22UF 50WV	K2	C137			CF92FV1H224J	MF-C 0.22UF J	
C29			C90-5575-05	ELECTRO 22UF 16WV	K1	C138			CF92FV1H474J	MF-C 0.47UF J	
C30,31			CD04BJ1H100M	ELECTRO 10UF 50WV	K2	C138			CD04BJ1E470M	ELECTRO 47UF 25WV	K2
C30,31			C90-5574-05	ELECTRO 10UF 16WV	K1	C139			C90-5577-05	ELECTRO 47UF 16WV	K1
C32			CC73GCH1H470J	CHIP C 47PF J		C140			CK73GB1H103K	CHIP C 0.010UF K	
C35			C90-5575-05	ELECTRO 22UF 16WV	K1	C140			CD04BJ1E470M	ELECTRO 47UF 25WV	K2
C36			CD04BJ1H010M	ELECTRO 1.0UF 50WV	K2	C141			C90-5574-05	ELECTRO 10UF 16WV	K1
C36			C90-5601-05	ELECTRO 1UF 50WV	K1	C143			CF92FV1H103J	MF-C 0.010UF J	
C37			CD04BJ1H100M	ELECTRO 10UF 50WV	K2	C144,145			C90-5675-05	ELECTRO 10UF 20WV	
C37			C90-5574-05	ELECTRO 10UF 16WV	K1	C146,147			CF92FV1H102J	MF-C 1000PF J	
C40			CD04BJ1H010M	ELECTRO 1.0UF 50WV	K2	C148			CD04BJ1E470M	ELECTRO 47UF 25WV	K2
C40			C90-5601-05	ELECTRO 1UF 50WV	K1	C148			C90-5577-05	ELECTRO 47UF 16WV	K1
C41			CD04BJ1H100M	ELECTRO 10UF 50WV	K2	C149			CK73GB1H103K	CHIP C 0.010UF K	
C41			C90-5574-05	ELECTRO 10UF 16WV	K1	C150			CD04BJ1H4R7M	ELECTRO 4.7UF 50WV	K2
C42			CC73GCH1H470J	CHIP C 47PF J		C150			C90-5604-05	ELECTRO 4.7UF 50WV	K1
C44			CD04BJ1H100M	ELECTRO 10UF 50WV	K2	C152			CD04BJ1H010M	ELECTRO 1.0UF 50WV	K2
C44			C90-5574-05	ELECTRO 10UF 16WV	K1	C152			C90-5601-05	ELECTRO 1UF 50WV	K1
C45			CD04BJ1E470M	ELECTRO 47UF 25WV	K2	C155			CK73GB1H223K	CHIP C 0.022UF K	
						C201			CF92FV1H473J	MF-C 0.047UF J	

K1 : KAC-210D K2 : KAC-210MR (North America)

△ Indicates safety critical components.

# KAC-210D/210MR

## PARTS LIST

### AUDIO UNIT (X09-5800-xx)

Ref. No.	Ad	New	Parts No.	Description	Destination
C202			CF92FV1H223J	MF-C 0.022UF J	
C203			C90-5554-05	ELECTRO 10UF 16WV	
C204			CD04BJ1C101M	ELECTRO 100UF 16WV	K2
C204			C90-5578-05	ELECTRO 100UF 16WV	K1
C207,208			CK45FB1H102K	CERAMIC 1000PF K	
C210			CC73GCH1H220J	CHIP C 22PF J	
C211			CC73GCH1H470J	CHIP C 47PF J	
C212			CC73GCH1H220J	CHIP C 22PF J	
C213,214			CC73GCH1H470J	CHIP C 47PF J	
C216			CD04BJ1H010M	ELECTRO 1.0UF 50WV	K2
C216			C90-5601-05	ELECTRO 1UF 50WV	K1
C217,218			CD04BJ1C471M	ELECTRO 470UF 16WV	K2
C217,218			C90-5581-05	ELECTRO 470UF 16WV	K1
C219			CD04BJ1H100M	ELECTRO 10UF 50WV	K2
C219			C90-5585-05	ELECTRO 10UF 25WV	K1
J1			E63-0900-05	PIN JACK	
J2			E56-0812-05	CYLINDRICAL RECEPTACLE	K1
J101			E08-1005-05	RECTANGULAR RECEPTACLE	
J102			E58-0972-05	RECTANGULAR RECEPTACLE	
L101			L33-1937-05	CHOKE COIL	
L102,103			L33-1936-05	CHOKE COIL	
L105,106			L92-0382-05	FERRITE CORE	
A	2B		N09-6135-05	TAPTITE SCREW (3X8B)	
B	2B		N30-3005-43	PAN HEAD MACHINE SCREW	
R12			RK73GB2A472J	CHIP R 4.7K J 1/10W	
R13,14			RD14BB2C102J	RD 1.0K J 1/6W	
R15-18			RD14BB2C103J	RD 10K J 1/6W	
R19-22			RD14BB2C821J	RD 820 J 1/6W	
R23-25			RK73GB2A103J	CHIP R 10K J 1/10W	
R27			RK73GB2A132J	CHIP R 1.3K J 1/10W	
R28-31			RK73GB2A104J	CHIP R 100K J 1/10W	K1
R28,29			RK73GB2A623J	CHIP R 62K J 1/10W	K2
R32			RK73GB2A164J	CHIP R 160K J 1/10W	K1
R33			RK73GB2A513J	CHIP R 51K J 1/10W	K1
R34			RK73GB2A164J	CHIP R 160K J 1/10W	K1
R35			RK73GB2A513J	CHIP R 51K J 1/10W	K1
R36,37			RK73GB2A473J	CHIP R 47K J 1/10W	K1
R38,39			RK73GB2A101J	CHIP R 100 J 1/10W	K1
R40,41			RD14BB2C102J	RD 1.0K J 1/6W	K1
R44			RK73GB2A102J	CHIP R 1.0K J 1/10W	K1
R45			RK73GB2A222J	CHIP R 2.2K J 1/10W	
R46,47			RK73GB2A103J	CHIP R 10K J 1/10W	
R49			RK73GB2A223J	CHIP R 22K J 1/10W	
R50			RK73GB2A152J	CHIP R 1.5K J 1/10W	
R52			RK73GB2A224J	CHIP R 220K J 1/10W	K1
R52			RK73GB2A753J	CHIP R 75K J 1/10W	K2
R53			RK73GB2A104J	CHIP R 100K J 1/10W	
R56			RD14BB2C472J	RD 4.7K J 1/6W	K1
R58			RK73GB2A103J	CHIP R 10K J 1/10W	
R59			RD14BB2C471J	RD 470 J 1/6W	K1
R60			RD14BB2C472J	RD 4.7K J 1/6W	K1
R61			RD14BB2C103J	RD 10K J 1/6W	K1
R63			RD14BB2C103J	RD 10K J 1/6W	
R64			RK73GB2A623J	CHIP R 62K J 1/10W	

Ref. No.	Ad	New	Parts No.	Description	Destination
R66			RK73GB2A101J	CHIP R 100 J 1/10W	
R68			RD14BB2C471J	RD 470 J 1/6W	K1
R102			RD14BB2C391J	RD 390 J 1/6W	
R103			RD14BB2C102J	RD 1.0K J 1/6W	
R105			RK73GB2A103J	CHIP R 10K J 1/10W	
R106			RK73GB2A472J	CHIP R 4.7K J 1/10W	
R107			RK73GB2A332J	CHIP R 3.3K J 1/10W	
R108			RK73GB2A751J	CHIP R 750 J 1/10W	
R109			RK73GB2A332J	CHIP R 3.3K J 1/10W	
R110			RD14BB2C332J	RD 3.3K J 1/6W	
R111			RK73GB2A101J	CHIP R 100 J 1/10W	
R112,113		*	RK73GB2A2R7J	CHIP R 2.7 J 1/10W	
R114-117			RD14BB2C2R7J	RD 2.7 J 1/6W	
R118			RK73GB2A152J	CHIP R 1.5K J 1/10W	
R119			RK73GB2A473J	CHIP R 47K J 1/10W	
R120			RK73GB2A223J	CHIP R 22K J 1/10W	
R121			RK73GB2A133J	CHIP R 13K J 1/10W	
R122			RK73GB2A682J	CHIP R 6.8K J 1/10W	
R125			RK73GB2A103J	CHIP R 10K J 1/10W	
R127,128			RK73GB2A103J	CHIP R 10K J 1/10W	
R129			RK73GB2A101J	CHIP R 100 J 1/10W	
R130			RK73GB2A332J	CHIP R 3.3K J 1/10W	
R131			RK73GB2A103J	CHIP R 10K J 1/10W	
R132			RK73GB2A101J	CHIP R 100 J 1/10W	
R133,134			RD14BB2C244J	RD 240K J 1/6W	
R135			RK73GB2A684J	CHIP R 680K J 1/10W	
R136			RK73GB2A102J	CHIP R 1.0K J 1/10W	
R137			RK73GB2A103J	CHIP R 10K J 1/10W	
R138			RK73GB2A332J	CHIP R 3.3K J 1/10W	
R139,140			RK73GB2A223J	CHIP R 22K J 1/10W	
R141			RK73GB2A332J	CHIP R 3.3K J 1/10W	
R148,149			RD14DB2H4R7J	SMALL-RD 4.7 J 1/2W	
R150			RD14DB2H330J	SMALL-RD 33 J 1/2W	
R152			RK73GB2A103J	CHIP R 10K J 1/10W	
R153,154			RD14BB2C472J	RD 4.7K J 1/6W	
R155,156			R92-2105-05	METAL R 0.05 K 2W	
R157			RK73GB2A222J	CHIP R 2.2K J 1/10W	
R160			RK73GB2A122J	CHIP R 1.2K J 1/10W	
R161			RK73GB2A102J	CHIP R 1.0K J 1/10W	
R162			RK73GB2A103J	CHIP R 10K J 1/10W	
R163			RD14BB2C101J	RD 100 J 1/6W	
R164			RD14NB2E220J	RD 22 J 1/4W	
R165			RD14BB2C100J	RD 10 J 1/6W	
R166			RK73GB2A473J	CHIP R 47K J 1/10W	
R167			RK73GB2A242J	CHIP R 2.4K J 1/10W	
R168			RK73GB2A751J	CHIP R 750 J 1/10W	
R169			RK73GB2A104J	CHIP R 100K J 1/10W	
R171			RK73GB2A104J	CHIP R 100K J 1/10W	
R173-176			RK73GB2A151J	CHIP R 150 J 1/10W	
R177-179			RK73GB2A103J	CHIP R 10K J 1/10W	
R180			RK73GB2A332J	CHIP R 3.3K J 1/10W	
R181			RK73GB2A101J	CHIP R 100 J 1/10W	
R182			RK73GB2A100J	CHIP R 10 J 1/10W	
R183			RK73GB2A102J	CHIP R 1.0K J 1/10W	
R184			RK73GB2A472J	CHIP R 4.7K J 1/10W	

K1 : KAC-210D K2 : KAC-210MR (North America)

△ Indicates safety critical components.

# KAC-210D/210MR

## PARTS LIST

### AUDIO UNIT (X09-5800-xx)

Ref. No.	Add	New	Parts No.	Description	Destination	Ref. No.	Add	New	Parts No.	Description	Destination
R201,202			RK73GB2A123J	CHIP R 12K J 1/10W		IC201		*	HIP4080AIBZT	BI-POLAR IC	
R203			RK73GB2A102J	CHIP R 1.0K J 1/10W		IC202			BA4560F	ANALOGUE IC	
R204,205			RK73GB2A392J	CHIP R 3.9K J 1/10W		Q1			2SC4081	TRANSISTOR	K1
R206			RD14BB2C102J	RD 1.0K J 1/6W		Q101-104			IRF540N	FET	
R207,208			RD14BB2C103J	RD 10K J 1/6W		Q105			2SD1863	TRANSISTOR	
R209			RD14BB2C363J	RD 36K J 1/6W		Q107			2SB1241	TRANSISTOR	
R211,212			RD14BB2C102J	RD 1.0K J 1/6W		Q108-110			2SC4081	TRANSISTOR	
R213,214			RD14BB2C103J	RD 10K J 1/6W		Q111			2SA1576A	TRANSISTOR	
R215,216			RD14BB2C273J	RD 27K J 1/6W		Q112			2SC4081	TRANSISTOR	
R217-220			RD14BB2C103J	RD 10K J 1/6W		Q113			DTA124EUA	DIGITAL TRANSISTOR	
R221,222			RK73GB2A103J	CHIP R 10K J 1/10W		Q114,115			DTC124EUA	DIGITAL TRANSISTOR	
R223			RK73GB2A102J	CHIP R 1.0K J 1/10W		Q116			2SC4081	TRANSISTOR	
R224			RK73GB2A223J	CHIP R 22K J 1/10W		Q118			DTA124EUA	DIGITAL TRANSISTOR	
R225			RK73GB2A822J	CHIP R 8.2K J 1/10W		Q119,120			2SA1576A	TRANSISTOR	
R226			RK73GB2A821J	CHIP R 820 J 1/10W		TH102			PTFL04BD222Q2	POSITIVE RESISTOR	
W101-105			R92-1252-05	CHIP R 0 OHM J 1/16W	K2						
W101-139			R92-1252-05	CHIP R 0 OHM J 1/16W	K1						
W107,108			R92-1252-05	CHIP R 0 OHM J 1/16W	K2						
W110			R92-1252-05	CHIP R 0 OHM J 1/16W	K2						
W112-120			R92-1252-05	CHIP R 0 OHM J 1/16W	K2						
W122-139			R92-1252-05	CHIP R 0 OHM J 1/16W	K2						
D1			DAN202U	DIODE							
D2			DAP202U	DIODE							
D5			DAN202U	DIODE							
D6,7			DAP202U	DIODE							
D8			DAN202U	DIODE	K2						
D8,9			DAN202U	DIODE	K1						
D10			DAP202U	DIODE	K1						
D14			DA204U	DIODE	K2						
D14,15			DA204U	DIODE	K1						
D101			RD5.1JS-AZ(B2)	ZENER DIODE							
D102			RD10JS-AZ(B)	ZENER DIODE							
D104			RD7.5JS-AZ(B)	ZENER DIODE							
D105			RD15JS-AZ(B)	ZENER DIODE							
D108-111			EG01YNF	DIODE							
D113			DAN202U	DIODE							
D114			DAP202U	DIODE							
D115			S2V60*A	DIODE							
D116,117			RD10JS-AZ(B)	ZENER DIODE							
D118-122			1SS400	DIODE							
D123			DAP202U	DIODE							
D124			RD7.5JS-AZ(B)	ZENER DIODE							
D125			1SS400	DIODE							
D201,202			DA204U	DIODE							
D204			DA204U	DIODE							
D205			RD5.1JS-AZ(B2)	ZENER DIODE							
D206,207			1SS400	DIODE							
D208			RD6.2JS(B)	ZENER DIODE							
IC1,2			BA4560F	ANALOGUE IC							
IC3			TC4052BF(N)-F	MOS-IC	K1						
IC4			NJM2172V-TE2	ANALOGUE IC							
IC5,6			BA4560F	ANALOGUE IC							
IC101			BU4069UBF	IC (INVERTER X6)							
IC103			BA4560F	ANALOGUE IC							

K1 : KAC-210D K2 : KAC-210MR (North America)

△ Indicates safety critical components.

# KAC-210D/210MR

## SPECIFICATIONS

### Amp unit

Maximum Output .....	200W
S/N Ratio .....	85dB
Low Pass Filter Frequency .....	80Hz
Sensitivity/input impedance (RCA pin jack) .....	60mV/10k $\Omega$
Output Impedance .....	(1.5 $\Omega$ +1.5 $\Omega$ )=0.75 $\Omega$
Power .....	DC14.4V (Operational range 10.5~16V)
Maximum Current Consumption .....	10A
Fuse Capacity .....	5A x 2
External Size (W x H x D) .....	195 x 30 x 155 mm (7-11/16 x 1-3/16 x 6-1/8 inch)
Weight .....	800g (1.8lb)

---

KENWOOD follows a policy of continuous advancements in development.  
For this reason specifications may be changed without notice.

---

